

Mechanical Seal for Lube Oil Pump

(for FD Fan and PA Fan Stage-II)

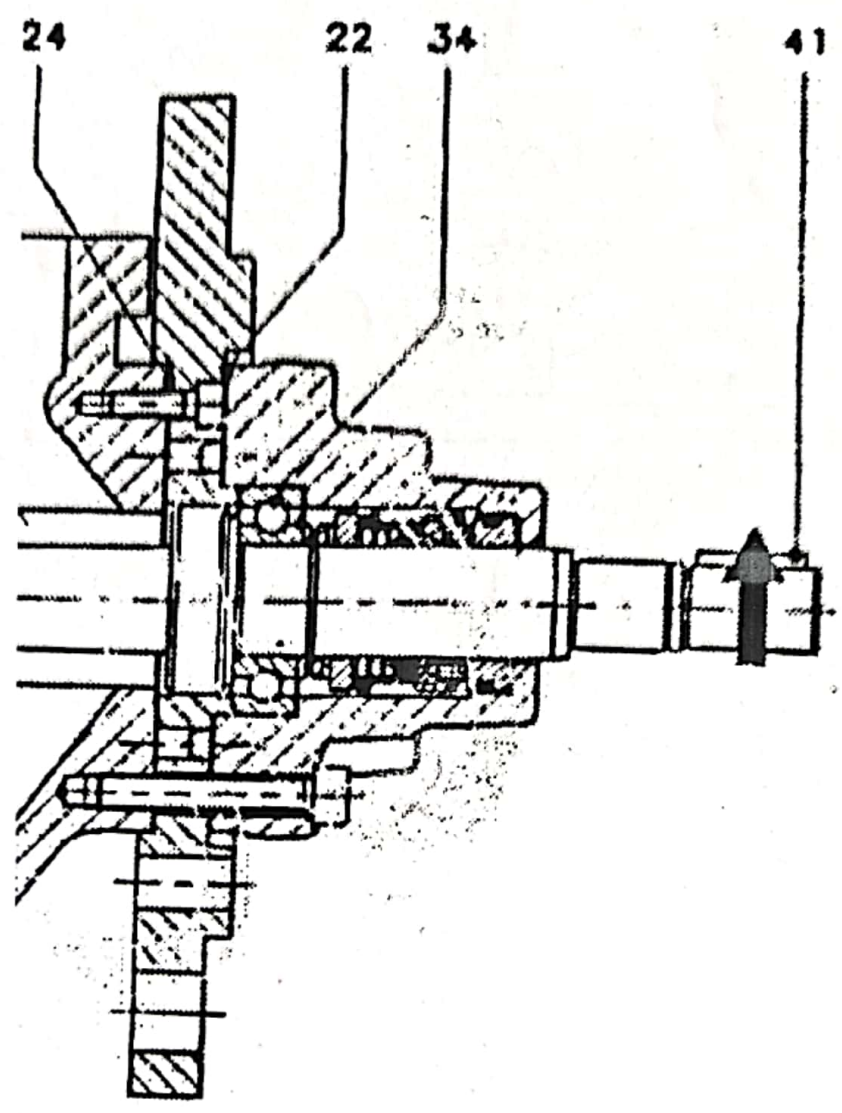
Make: Tushaco Pumps Pvt. LTD

Type: T3SZ32/54.

Viscosity : 68 cst

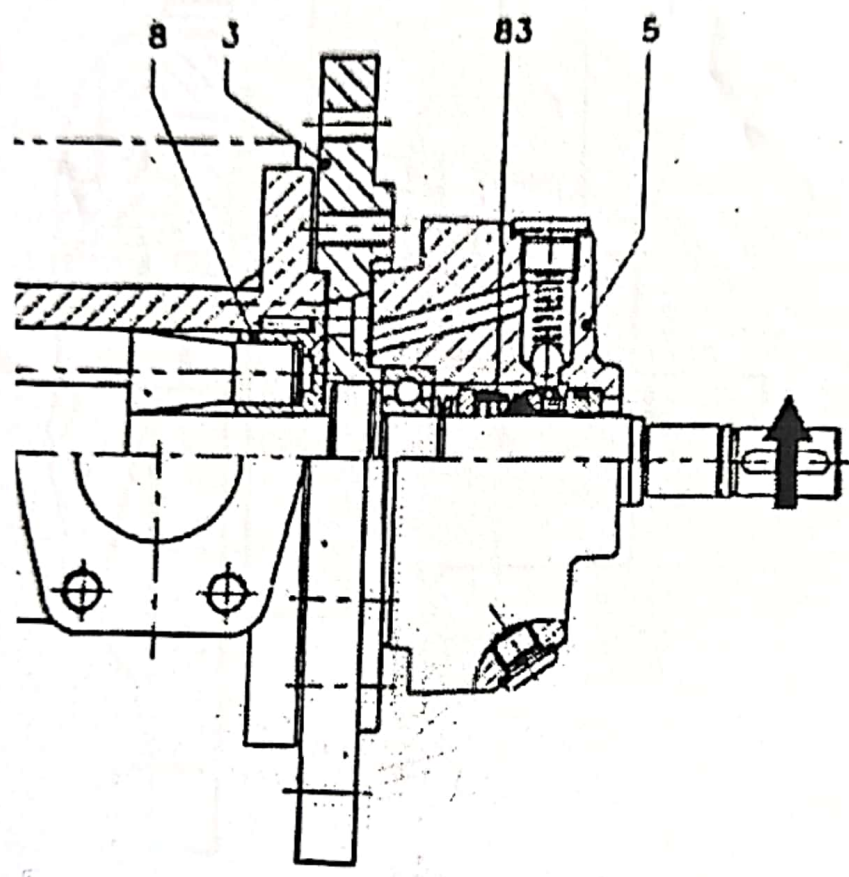
Operating Pressure: 16kg/cm²

Shaft Dia : 25 mm



Mechanical Seal for Lube Oil Pump
(for Coal Mills Stage-II)

Make: Tushaco Pumps Pvt. LTD
Type : T3SI-45/46
Viscosity : 320 cst
Operating Pressure: 5kg/cm²
Shaft Dia : 25 mm



Mechanical Seal for Lube Oil Pump

(For ID Fan Stage-II)

Make: Tushaco Pumps Pvt. LTD

Type: T3SI-32/46

Viscosity : 68 cst

Operating Pressure: 5kg/cm²

Shaft Dia : 32 mm

