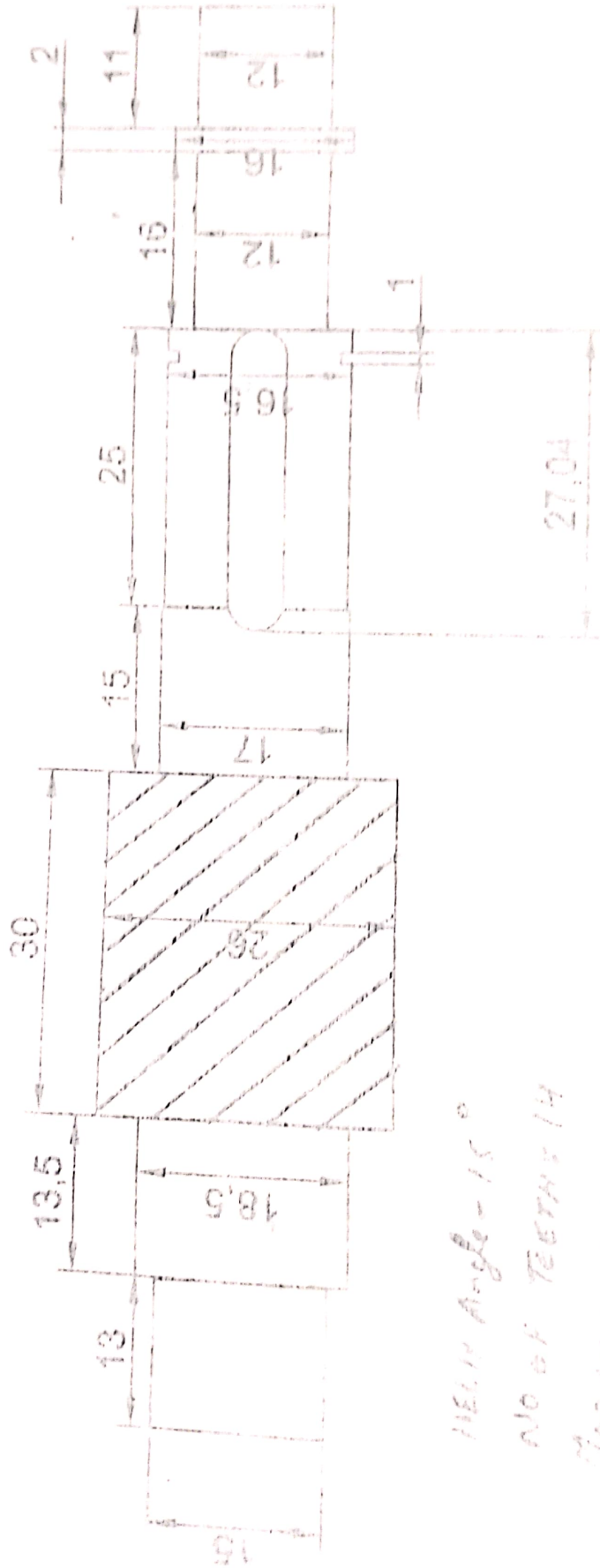


'Gear Type - I' for Collecting Gear Box

Material - EN 053/EM29



HELIX ANGLE = 15°

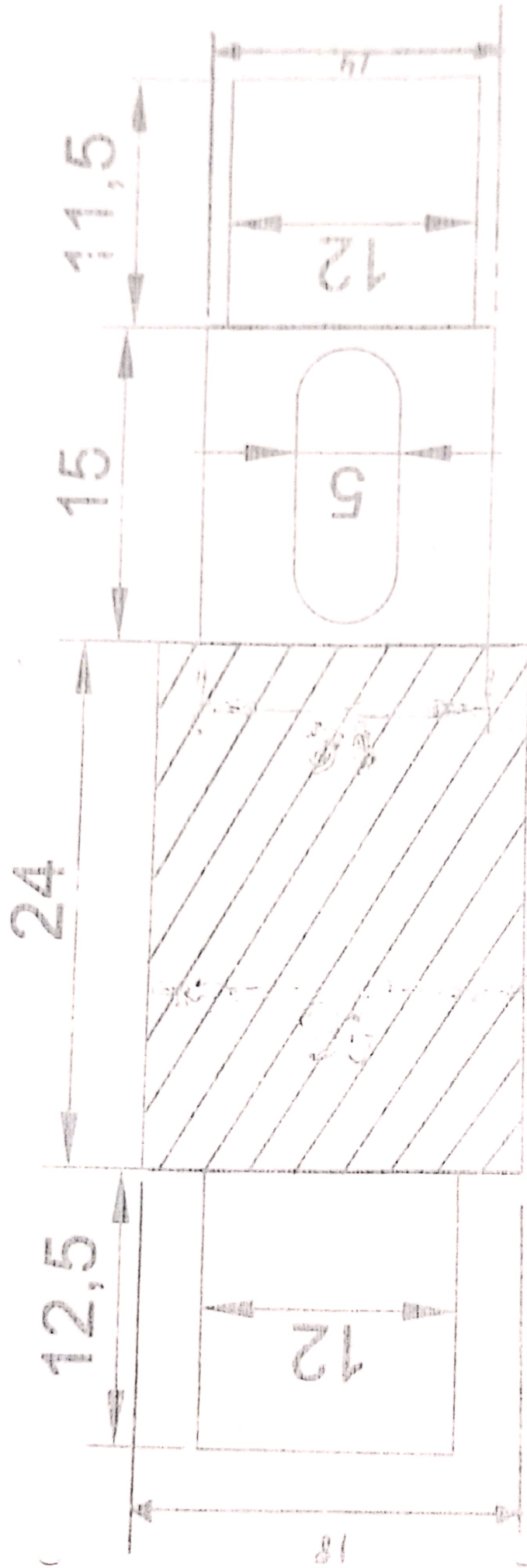
NO OF TEETH = 14

MODULE = 1.5

1. The drawing is a technical drawing of a gear component. It shows the front and side views of the gear. The front view shows a gear with a total width of 30 and a central hole with a diameter of 28. The side view shows a gear with a total width of 27.04 and a central hole with a diameter of 16.5. The gear has a helix angle of 15 degrees. The drawing includes various dimensions and labels.

[Handwritten signature]

Gear type - n' for Colls' of Gear Box
 Material :- EN-053/EN-24



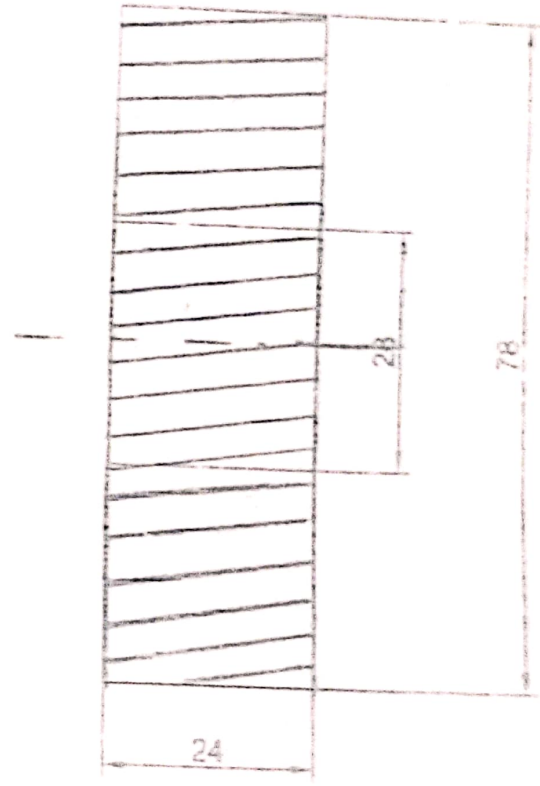
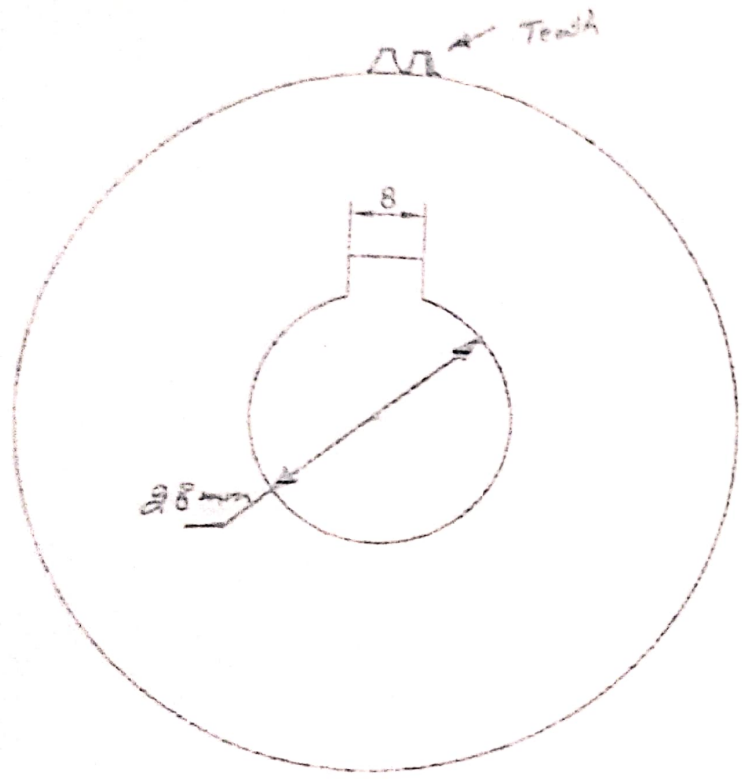
Helix Angl = 25°
 No of TEETH = 14
 Module = 1

All Dim. in mm

The above rough dimensional details are just guidelines for quoting the price. The firm should see the sample of size for exact dimensions and specify the material and finish. The firm should also specify the material and finish of the gear teeth. The firm should also specify the material and finish of the gear teeth. The firm should also specify the material and finish of the gear teeth.



'Gear Type - M' for Collecting Gear Box
 Material :- EN 24/EN 24



Helix Angle = 15°
 No of Teeth = 49
 module = 1.5
 All Dim in mm



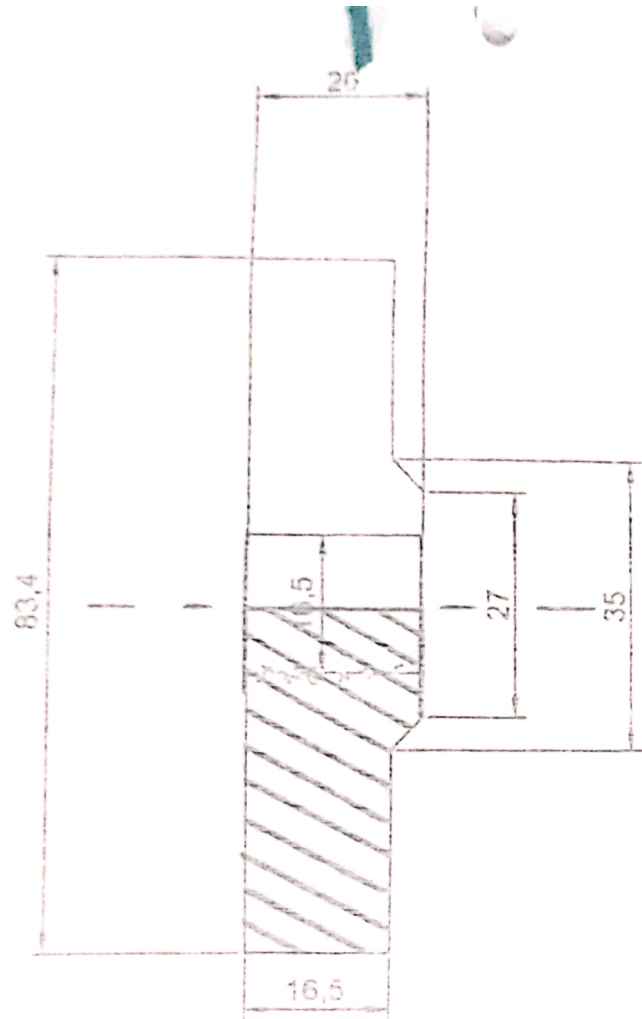
[Signature]

The above rough dimensional sketches are just guidelines regarding the make. The firm should see the sample at site for exact dimensions and shall supply the material as per made. It is the responsibility of the firm to ensure proper mesh of gear, in the gear boxes installed at GGSSTP, Jaisalmer. If required, sample can be given to the successful bidder. The material of gear is EN 24. Gear are required to be hardened & tempered. All dimensions are in mm. Drawing is not to the scale.

- 3/4 -

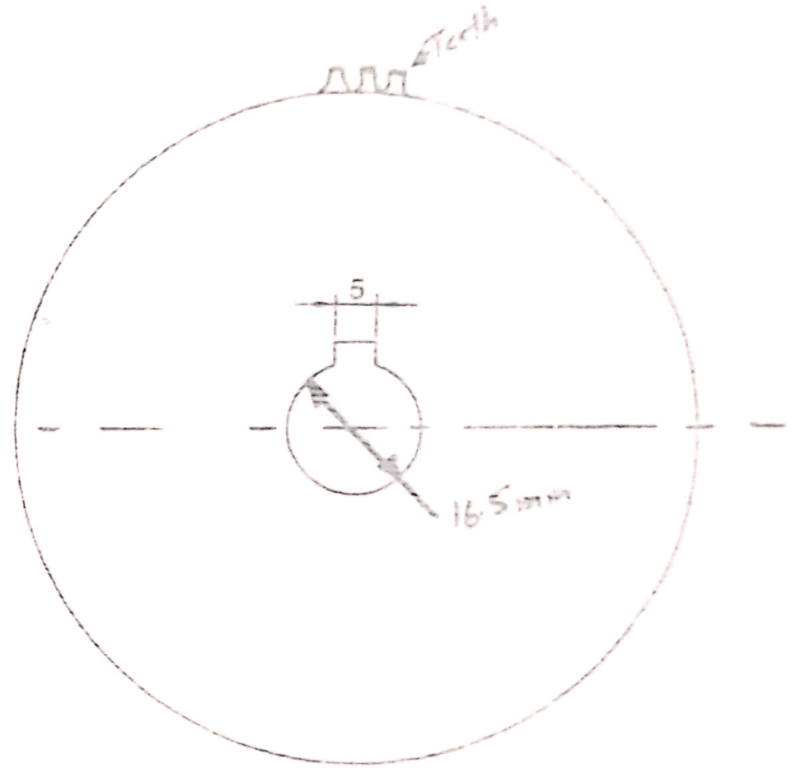
ANSWER - D

'Gear Type - N' for Collecting Gear Box
 Material: - EN 053 / EN-24



SECTION VIEW

Helix Angle = ~~21~~ 15
 No. of Teeth = ~~18~~ 77
 Module = 1



All Dim. in mm

The above rough dimensional sketches are just guidelines for quoting rates. The bidder shall see the sample at site for exact dimensions and shall supply the material as per specification. It is the responsibility of the firm to ensure proper fitment of gears in the gear boxes at the time of repair. If required, sample can be given to the successful bidder.

1. The material of gears (EN 053) are required to be Hardened & Tempered.
2. The material of gears (EN 053) are required to be Hardened & Tempered.
3. All dimensions are in mm. The drawing is not to the scale.

[Signature]

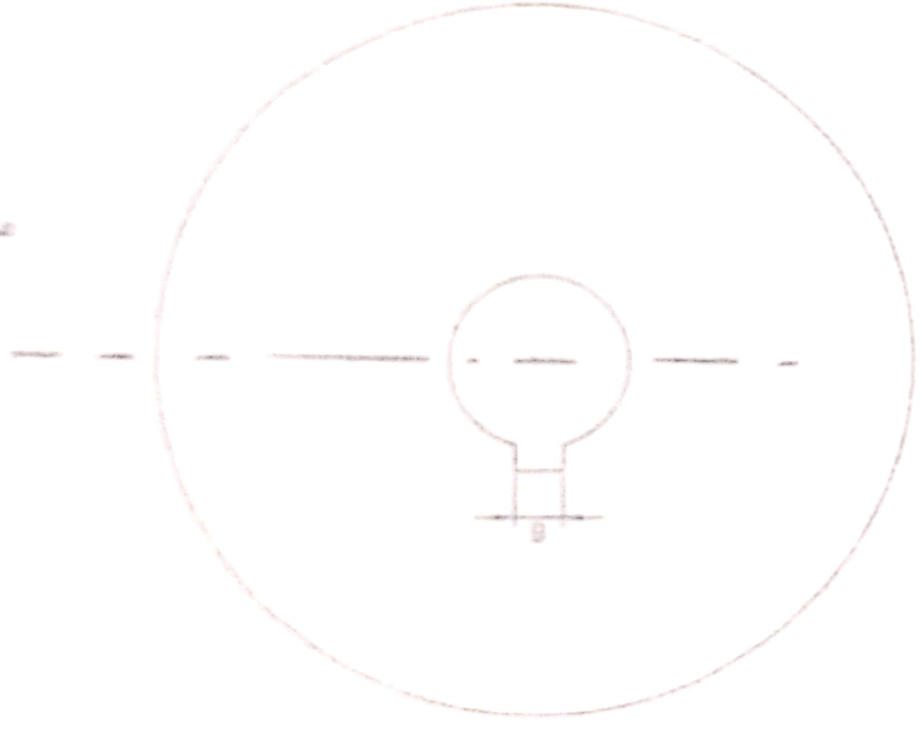
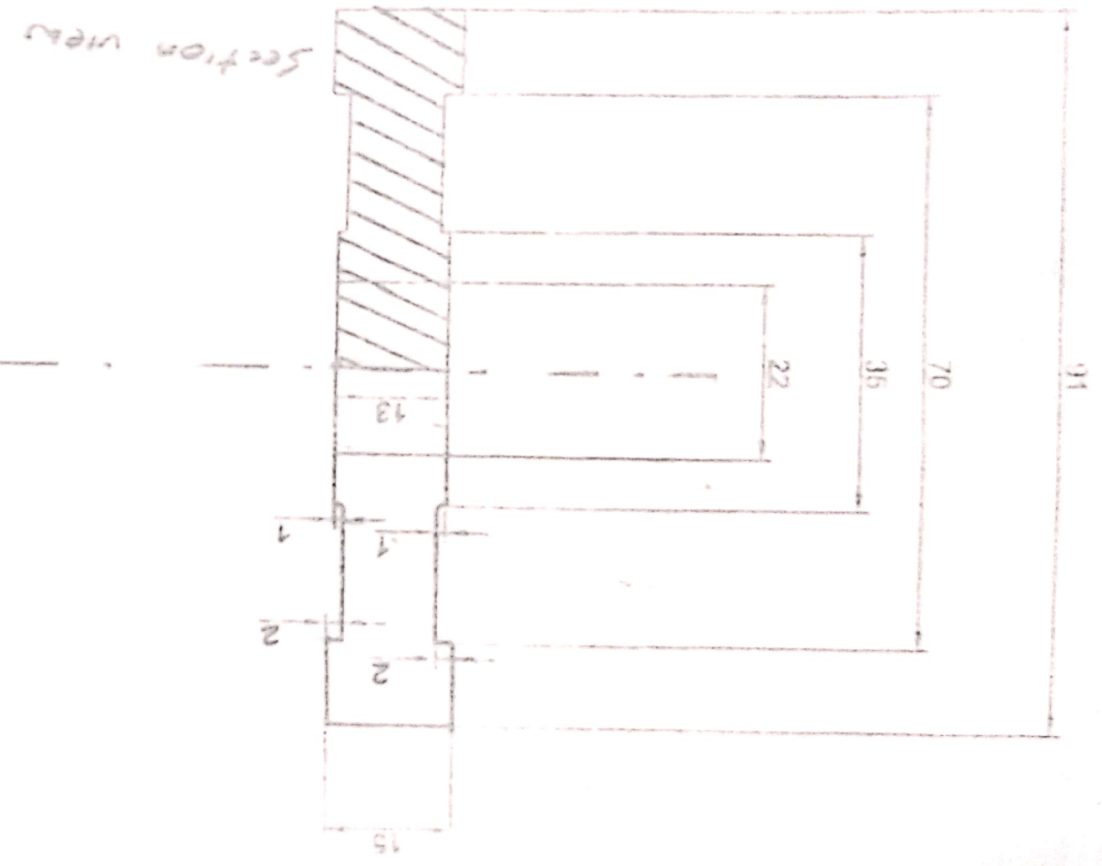
5/6

ANNEXURE - E

... of the gear teeth, the form should see the angle at the ...
... of gear teeth, the form should see the angle at the ...
... of gear teeth, the form should see the angle at the ...

Helix Angle = 25°
No. of Teeth = 76

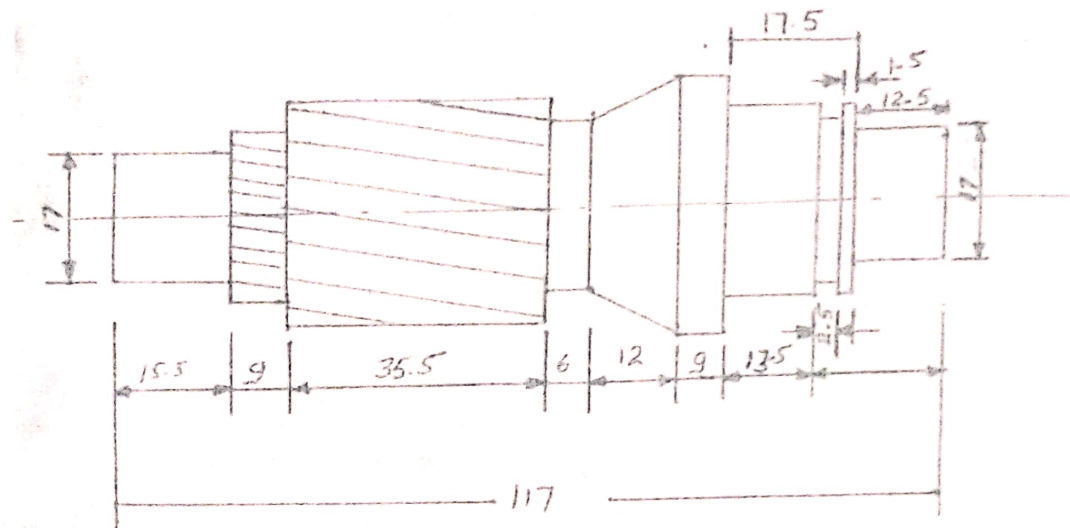
Rad. Dim. in mm



Material: EN-05/EN-10
Type - O' for collecting gear box

~~Material: EN-05/EN-10~~

Gear-P (Emitting Gear Box)



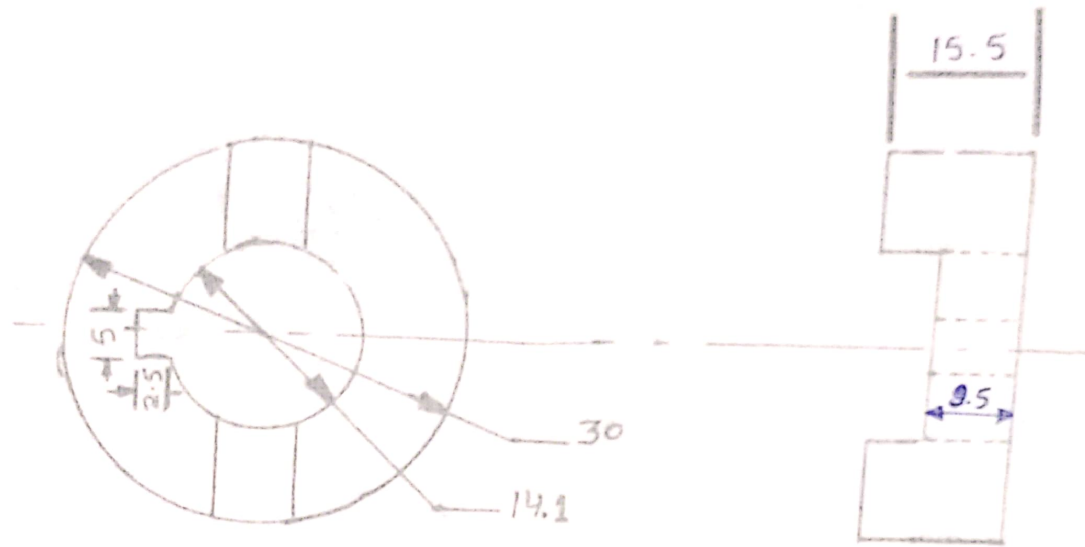
No. of teeth-13

1. The above rough dimensional sketches are just guidelines for quoting the rates. The firm should see the sample at site for exact dimensions and shall supply the material as per sample. It is the responsibility of the firm to ensure proper fitment of gears in the gear boxes installed at GGSSTP, Ropar. If required a sample can be given to the successful bidder.
2. The material of gear is EN-24/EN53 Gear is required to be Hardened & Tempered.
3. All dimensions are in mm. Drawing is not to the scale.

ANNEXURE-4

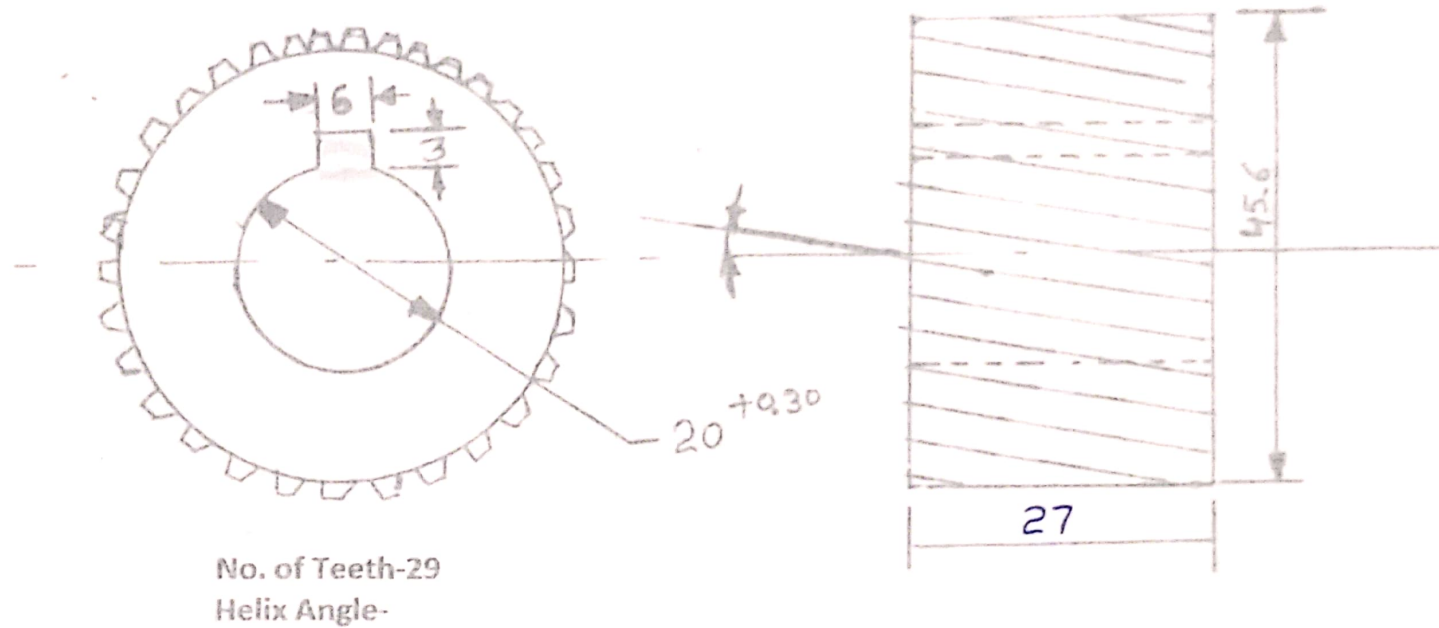
3/7

Gear-Q (Emittig Gear Box)



1. The above rough dimensional sketches are just guidelines for quoting the rates. The firm should see the sample at site for exact dimensions and shall supply the material as per sample. It is the responsibility of the firm to ensure proper fitment of gears in the gear boxes installed at GGSSTP, Ropar. If required a sample can be given to the successful bidder.
2. The material of gear is EN 24/EN53 Gear is required to be Hardened & Tempered.
3. All dimensions are in mm. Drawing is not to the scale.

Gear- (Emitting Gear Box)



1. The above rough dimensional sketches are just guidelines for quoting the rates. The firm should see the sample at site for exact dimensions and shall supply the material as per sample. It is the responsibility of the firm to ensure proper fitment of gears in the gear boxes installed at GGSSTP, Ropar. If required a sample can be given to the successful bidder.

2. The material of gear is EN-24/EN53 Gear is required to be Hardened & Tempered.

3. All dimensions are in mm. Drawing is not to the scale.