



Punjab State Power Corporation Limited

(Regd. Office : PSEB Head Office, The Mall Patiala - 147001,
Corporate Identity Number : U40109PB2010SGC033813 Website: www.pspcl.in)

**OFFICE OF THE CHIEF ENGINEER/GGSSTP,
MATERIAL MANAGEMENT CELL-III, V&P.O. GHANAULI, ROOPNAGAR-140113
(FAX NO 01881-274232, PH NO 01881-275666)
(ISO 9001:2000 CERTIFIED)
e-mail : se-monitoring-ggsstp@pspcl.in**

34
1

To

Regd./Email ✓

Limited Tender enquiry,
On various firm's as per overleaf.

Memo No. 5385/91 /P-3/EMP-11478

Dated: 11/9/19

Subject: - Procurement of carrying/return rollers for mill rejects system of stage II & III units at GGSSTP.

Enquiry No. 7152 /P-3/EMP-11478 dated: 11-9-19

Date & Time of Receipt of Tender 10-10-19 upto 11.00 A.M.

Date & Time of Opening of Tender 10-10-19 at 11.30 A.M.

(In case opening date happens to be holiday, tender shall be opened on next working date at the same time)


Dear Sirs,

Please send your sealed quotation in duplicate in the Performa attached on the firm prices for the supply and delivery of items as detailed in Annexure-'A' enclosed. Enquiry No. and date of opening of tender must be legibly mentioned at right top corner of sealed cover. General terms & conditions shall be as per Annexure-'B' attached. Your quotation should be in two parts. For each item, unit rates should be quoted strictly on the attached performa of pricing schedule. Please note that if quoted rates are not as per attached performa, the offer is liable to be rejected. Insurance and freight charges should be quoted separately.

Also please note that competent authority may distribute the quantities to be procured on more than one firm.

The offer must be kept valid for atleast 120 days

D/A- Annexure- A, B, Performa for Schedule of Deviation, Performa of pricing schedule , Annexure-I(Tech. spec.) & Sketch.


Dy. C.E./Monitoring,
For CE/GGSSTP, Rupnagar

CC :-

- 1) Dy.C.E./MMC-II,GGSSTP,Rupnagar along with Annexure A to check specifications and intimate, if there is any discrepancy please.
- 2) FA&CAO,GGSSTP,Rupnagar.
- 3) Notice Board.

45

PUNJAB STATE POWER CORPORATION LIMITED

(Regd. Office : PSEB Head Office, The Mall, Patiala - 147001)
Corporate identity Number U40109PB2010SGC033813 Website: www.pspcl.in

OFFICE OF THE CHIEF ENGINEER /GGSSTP,
MATERIAL MANAGEMENT CELL-3, V&P.O. GHANAULI, ROOPNAGAR-140113
Phone no. 01881-275666 E-mail: se-monitoring-ggsstp@pspcl.in

Annexure-'A'

ENQUIRY NO. 7152 /P-3/EMP- 11478 DT. 11-9-19

DETAIL OF MATERIAL AND TECHNICAL SPECIFICATIONS.

Sr. no	GGSSTP Code	Description	Qty (No's)
1	08051003	Return rollers for mill reject system of stg. II & III as per tech. spec. & drg.	50
2	08051008	Carrying rollers mill reject system of stg. II & III as per tech. spec. & drg.	140


Terms and Conditions:-

- 1) Fax/Telegraphic/e-mail tender shall not be accepted.
- 2) The tender shall be sent in two separate envelopes as under:-
 - (a) **Part-1-** One envelope containing deposit of Earnest Money (if applicable) & Technical /Commercial bids.
 - (b) **Part-2-** The other containing the prices.

While opening the tenders the envelope containing the Earnest Money (if applicable) & Technical /Commercial shall be opened first and in case the deposit of Earnest Money (if applicable) & Technical /Commercial is in accordance with the terms of notice inviting tender only then second envelope containing the tender (prices) shall be opened.
- 3) **The tender must be accompanied by EARNEST MONEY (If applicable as per Annexure-B)**
- 4) The rates should be quoted on FOR destination basis giving break up of FOR Destination price as per **Performa of pricing schedule** attached.
- 5) The Performa for price schedule enclosed with specification shall be filled by tenderers duly typed and **hand written prices shall not be accepted.**
- 6) In addition to the break-up of total price i.e. ex-works cost, GST, Freight, Insurance and Packing the bidders should also give split up of ex-works price.
- 7) **Split up of ex-works prices shall indicate cost of raw material, Labour component and overhead expenses.**
- 8) Raw material can further be divided into 3-4 parts depending upon type of material.
- 9) The offer should be kept valid for 120 days from date of opening of tenders.
- 10) The bidders are not allowed to indicate over all discounts on the quoted price for which split up has been, given as mentioned in Sr. No. 6 & 7 above. However, quantity/payment discount can be given by the tenderer in the main tender.
- 11) Any firm offering discount on the quoted price or after the opening of tender will be out rightly rejected.

- 12) Competent authority may distribute the quantities to be procured on more than one firm.
- 13) All pages of quotation should be duly signed.
- 14) Quantity can be increased or decreased.
- 15) **Relevant literature/catalogue should be sent along with quotation.**
- 16) **Negotiation shall not be held except with lowest bidder.**
- 17) Random testing of material on receipt in GGSSTP Store irrespective of the fact whether or not it was inspected before despatch shall be carried out by PSPCL. In case of any failure the entire lot shall be rejected at the risk and cost of the supplier.
- 18) Any deviation from PSPCL's standard terms and conditions be clearly mentioned in quotation under "**Schedule of deviations**" otherwise all terms and conditions will be deemed to have been accepted.
- 19) **Firm should mention GST number in their offer.**
- 20) The firm must mention HSN code of all items in their offer along with GST applicable on them. Uniform GST rates shall be applied while comparison of rates.
- 21) The location for the supply of goods/services must be in the territory of Punjab as goods are meant for use in Punjab.
- 22) Sourcing of service should be made from an agency with its office located in the territory of Punjab rather than merely from HQ of that agency. (which may be located outside the state).
- 23) **Tenders should enclose copies of Orders/Contracts against which they have supply same material to Thermal Plant of other states.**
- 24) Any firm which at the time of opening of the Tender enquiry, falls in any of the following categories, shall be regarded as defaulter and shall not be eligible for participation in any new Tender enquiry for a period of three years from the date of issue of Purchase Order in which it has defaulted:-
 - a) The Firm is a defaulter for the supply of 35% or more quantity on the date of expiry of the Contractual Delivery Period for the total ordered quantity.
 - b) The Firm is a defaulter for the supply of any quantity for more than 6 months from the date of expiry of the Contractual Delivery Period for the total ordered quantity.This clause shall be applicable item wise (all types, sizes and ratings) against which the firm has become defaulter under the above said conditions.
- 25) **All other terms and conditions are as per Annexure - 'B' attached.**

By  . CE/Monitoring
GGSSSTP, Rupnagar.


11.9.19

ANNEXURE-I

Technical specifications of steel rollers for mill reject system of Stg- II & III units

CARRYING ROLLERS FOR STG-II & III

1. Tube dia : 114.0mm
2. Length of tube (roller) : 230.0mm
3. Shaft dia : 20mm (refer sketch for dimensions of steps)
- Length of shaft : 250mm
5. Material of shaft : EN-8 as per BS-970
- 6 Material of roller shell : ERW pipe as per IS: 9295(Gr. YST-210
4.50mm thickness)
- 7 Type of seal : Multilabyrinth.
- 8 Material of labyrinth seal : Nyloplast
- 9 Material of back seal : -do-
- 10 Type of bearings : Single row deep groove ball bearing
6204
- 11 Type of lubricants : Grease packed for life.
- 12 Bearings are to be sealed at the end by nyloplast labyrinth & back seal.

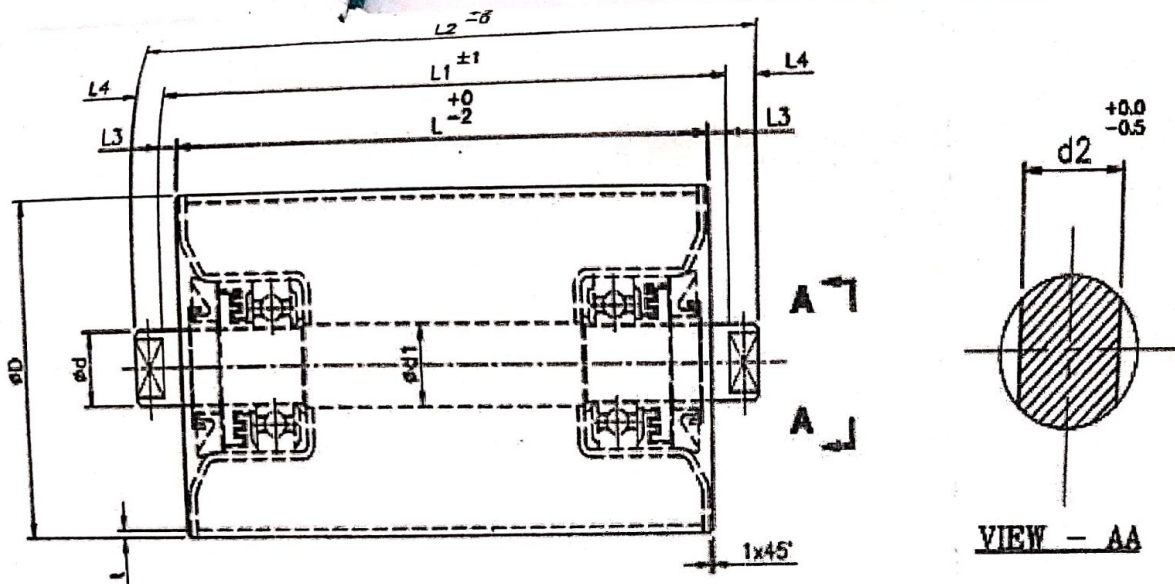
RETURN ROLLERS FOR STG-II & III

1. Tube dia : 88.9mm
2. Length of tube (roller) : 700mm
3. Shaft dia : 20mm (refer sketch for dimensions of steps)
4. Length of shaft : 960mm
5. Material of shaft : EN-8 as per BS-970
- 6 Material of roller shell : ERW pipe as per IS: 9295(Gr. YST-210
4.85mm thickness)
- 7 Type of seal : Multilabyrinth.
- 8 Material of labyrinth seal : Nyloplast
- 9 Material of back seal : return
- 10 Type of bearings : Single row deep groove ball bearing
6204
- 11 Type of lubricants : Grease packed for life.
- 12 Bearings are to be sealed at the end by nyloplast labyrinth & back seal.

NOTE: - The drawings attached are rough sketches sample can be seen at site and drawings shall be prepared by tendered himself. Manufacturer will submit the copy of drawing to GGSSTP. Samples can be issued to successful bidder on returnable basis, if required.



ASE/RM1



Item s.no.	Description	GGSTP CODE	φD	L	L1	L2	L3	L4	t	φd	φd1	D2	Beari no.
1	Return rollers 700X88.9X760MM for Stage-II & III	08051003	88.9	700	930	960	115	15	4.85	20	22	14	6204
2	Carrying rollers 230X114.3X256 mm for Stage-II & III	08051008	114.3	230	238	258	04	10	4.5	20	22	14	6204

*All dimensions are in mm.

Manoj
ASR/Rma

P
ASR/RM1

ANNEXURE-II
(Referred to in clause 29 (c) of Schedule-B)

UNDERTAKING FORM

(To be entered on a Non-judicial Stamped paper of Rs. 50/- only)

I/We-----on behalf of M/s-----
state that our works are situated in the State of Punjab and we claim "order Preference" as stipulated in the P.S.P.C.L Tender Enquiry No.-----
-----opened on -----against which we have submitted our offer dated -----. We undertake to execute the order/contract upto a maximum of -----nos. /quantity if placed/awarded on/to us even by counter offer at the rates worked out by Punjab State Power Corp. Ltd. in accordance with its Purchase Regulations. It is further understood that in the event of refusal by us or failure on our part to execute the order/contract (in full or in part) placed/awarded on/to to us under 'Order Preference' on any account what-so-ever, the Punjab State Power Corp. Ltd. shall have the right to forfeit the Earnest Money/ PEMD deposited by us and we shall have no claim for the refund thereof. The Punjab State Power Corp. Ltd. shall also have the right to suspend business dealings/blacklist with/my/our firm, without prejudice to other rights accruing to the Punjab State Power Corp. Ltd. under the Purchase Order/Contract if placed/awarded on/to us.

Signature of Constituted attorney

ANNEXURE-C**SCHEDULE OF DEVIATIONS**

(To be filled by tenderer)

Tenderer shall carefully state below any and all points in this proposal which are not in accordance with PSPCL's Technical Specification and the General Instructions:-

Sr. No.	Para no.	Technical Deviation, if any.
1.		
2.		
3.		
contd...		
Sr. No.	Para no.	General Deviation, if any.
1.		
2.		
3.		
contd...		

We hereby certify that the above mentioned are the only deviations from Purchaser's aforesaid specifications and general conditions.

Dated.

Authorized Signatory

Name: _____

Designation: _____

Address and Seal of the firm

Note: The tenderer is to clearly indicate any deviation in technical & general terms and conditions in this Annexure only. In case, the Technical Specification as well as General conditions of Tender Specifications are acceptable in toto, the word 'NIL' shall invariably be put in the above Columns. In case, nothing is mentioned here then it shall be presumed that there is no deviation in the offer and terms and conditions of the specifications are acceptable to the bidder in toto.

Performa of pricing schedule

BREAK UP OF F.O.R. DESTINATION PER UNIT PRICE
(THIS MUST ACCOMPANY THE TENDER DULY TYPED)

NAME OF TENDERER : _____

QUOTED QUANTITY : _____

NATURE OF PRICE : **FIRM**

A)	Break-up	(Rs.)
1.	Ex-works per unit price inclusive of packing forwarding (forming part of production) a) Cost of Major Component per item b) Cost of Minor Component per item. c) Cost of Labour charges per item. d) Overhead expenses per item. e) Packing charges forming part of production cost f) Any other charges	
2.	GST @ _____%	
3.	Sub total (1+2)	
4.	Packing cost (not forming part of production cost)	
5.	GST @ _____%	
6.	Sub total (4+5)	
7.	Forwarding charges.	
8.	GST @ _____%	
9.	Sub total (7+8)	
10.	Freight charges.	
11.	GST @ _____%	
12.	Sub total (10+11)	
13.	Insurance charges	
14.	GST @ _____%	
15.	Sub total (13+14)	
16.	Total (6+9+12+15)	
17.	All-inclusive FOR Destination per unit Rate (3+16)	

Note: 1. The firms should quote FIRM Prices only and offers of firms quoting variable prices shall be out rightly rejected

Name: _____

Designation: _____

Address and Seal of the firm

NOTES:

- i) If rate of GST in Para A is not given, the maximum applicable rate of GST, prevailing at the time of opening of tender, shall be taken into consideration.



34
24

- ii) The firms indicating NIL or concessional rate of GST in their tenders will have to absorb GST up to the full rate applicable at the time of tendering. The firm who do not agree to this stipulation or indicate GST as extra without indicating the applicable rate shall be loaded with maximum rate of GST for evaluation purpose.
- iii) In case quoted prices or any other declaration/ statement given in this annexure do not tally with the ones given in main tender or elsewhere, the ones given here shall be considered as the quoted price.
- iv) Any arithmetical error shall be considered to the advantage of the purchaser.
- v) The bidders shall not be allowed to indicate over all discount on the quoted price for which split up has been given. Any firm offering discount of the quoted price or after the opening of tender will be out rightly rejected.
- vi) The provisions of GST acts shall prevail upon wherever applicable in the terms and conditions of the specification.
- vii) The firm shall indicate the HSN code of each item.